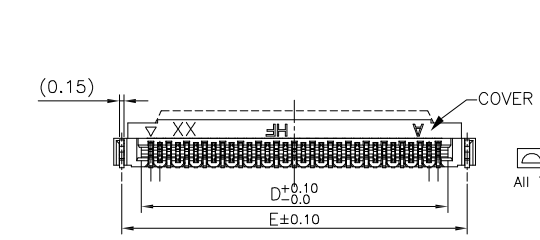
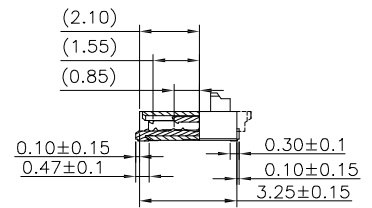
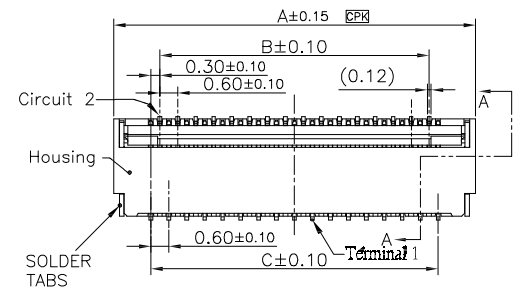


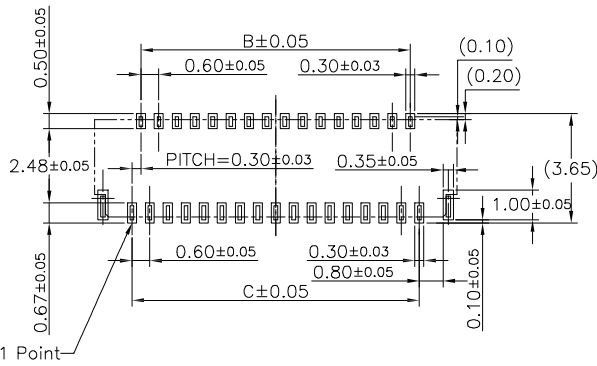
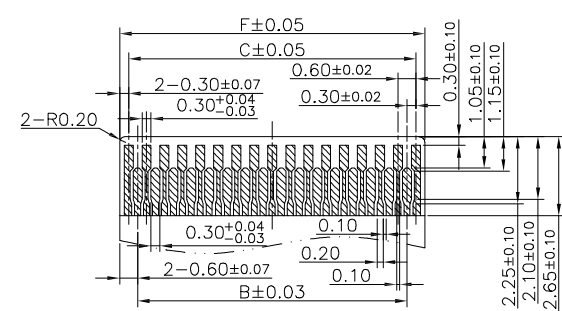
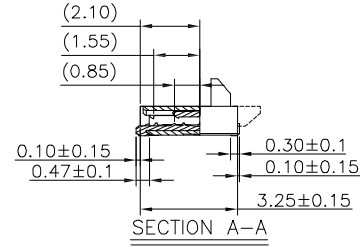
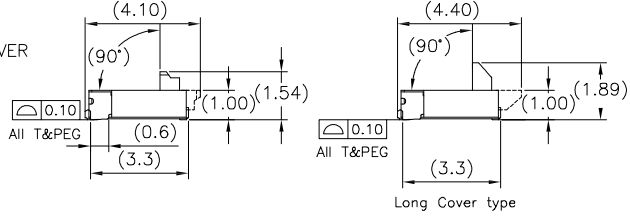
The product using material and processing must conform to the "WI-PZ-001"HSF technical standard control requirements

RoHS+HF

- NOTE:
 1.MATERIAL SPECIFICATION:
 1-1.HOUSING: LCP,UL94-V0,
 1-2.COVER: LCP,UL94-V0,BLACK
 1-3.CONTACTS: PHOSPHOR BRONZE
 1-4.SOLDER TABS: BRASS
 2.PLATING SPECIFICATION:
 2-1.CONTACTS:
 GOLD FLASH PLATED OVER ALL.
 2-2.SOLDER TABS:
 PLATED MATTE Tin .
 3.MECHANICAL PERFORMANCE:
 3-1.RETENTIVITY FORCE: 0.02KGF/pin min
 3-2.DURABILITY: 20 CYCLES.
 4.ELECTRICAL PERFORMANCE:
 4-1.CURRENT RATING: 0.2A
 RATED VOLTAGE : 30V AC/DC
 4-2.CONTACT RESISTANCE: 50 mΩ MAX
 4-3.INSULATION RESISTANCE: 100MΩ Min
 4-4.DIELECTRIC WITHSTANDING : 100V AC
 5.ENVIRONMENTAL PERFORMANCE:
 5-1.OPERATING TEMPERATURE: -25°C~+85°C.
 6.PACKAGE SPEC:REEL



SECTION A-A



7.P/N:
 SERIES NO: F0301 10 F 9-2 XX 2 X X 01
 HEIGHT: 10: 1.0mm
 MALE FEMALE: F-FEMALE
 ANGLE: 9-90°
 ROW NO: 2-DOUBLE ROW
 COLOR: M-BEIGE, K-WHITE, S-NATURE
 PLATING: A-ALL AU G/F, 1-G/F, C-BRIGHE TIN
 TERMPPOINT: 2-SMT
 PIN Q' PY: 09~51

Ordering Information & Dimensions

Circuit	Dimensions(mm)					
	A	B	C	D	E	F
09	4.90	1.80	2.40	3.03	4.35	3.00
11	5.50	2.40	3.00	3.63	4.95	3.60
13	6.10	3.00	3.60	4.23	5.55	4.20
15	6.70	3.60	4.20	4.83	6.15	4.80
17	7.30	4.20	4.80	5.43	6.75	5.40
19	7.90	4.80	5.40	6.03	7.35	6.00
21	8.50	5.40	6.00	6.63	7.95	6.60
23	9.10	6.00	6.60	7.23	8.55	7.20
25	9.70	6.60	7.20	7.83	9.15	7.80
27	10.3	7.20	7.80	8.43	9.75	8.40
29	10.90	7.80	8.40	9.03	10.35	9.00
31	11.50	8.40	9.00	9.63	10.95	9.60
33	12.10	9.00	9.60	10.23	11.55	10.20
35	12.70	9.60	10.20	10.83	12.15	10.80
37	13.30	10.20	10.80	11.43	12.75	11.40
39	13.90	10.80	11.40	12.03	13.35	12.00
41	14.50	11.40	12.00	12.63	13.95	12.60
43	15.10	12.00	12.60	13.23	14.55	13.20
45	15.70	12.60	13.20	13.83	15.15	13.80
47	16.30	13.20	13.80	14.43	15.75	14.40
49	16.90	13.80	14.40	15.03	16.35	15.00
51	17.50	14.40	15.00	15.63	16.95	15.60

NO.	COMPONENTS	MATERIALS	COLOR/SPECIFICATION	QUANTITY
1	HOUSING	LCP	NATURAL UL94V-0	1 PCS
2	COVER	LCP	BLACK UL94V-0	1 PCS
3	CONTACTS	PHOSPHOR BRONZE	T=0.12mm PLATING	POSITIONS
4	CONTACTS	PHOSPHOR BRONZE	T=0.12mm PLATING	POSITIONS
5	SOLDER TABS	BRASS	T=0.15mm PLATING	2 PCS

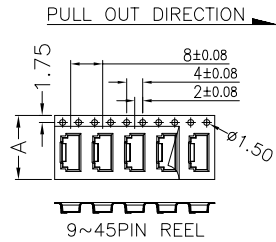
REV.	REVISION RECORD	DATE	GENERAL TOLERANCES		SCALE:	NAME	DATE	PART.NO: F030110F9-2XX2XX01	DWG.NO: ENDE05	
AO	NEW RELEASE	22.10.28	LINEAR	ANGLES	1:1	Wang_jr	22.10.28			
			0.0±0.35	X'REF±6'		Han_Gao	22.10.28	TITLE: Pitch 0.30mm H1.0mm 双排贴后掀盖双面接 FPC	REV: A0	SHEET: 1/2
			UNIT:mm	X'±3'		LanXuan_Hou	22.10.28			
			SIZE: A4	0.000±0.10						

The product using material and processing must conform to the "WI-PZ-001"HSF technical standard control requirements

RoHS+HF

6. QTY. LIST:

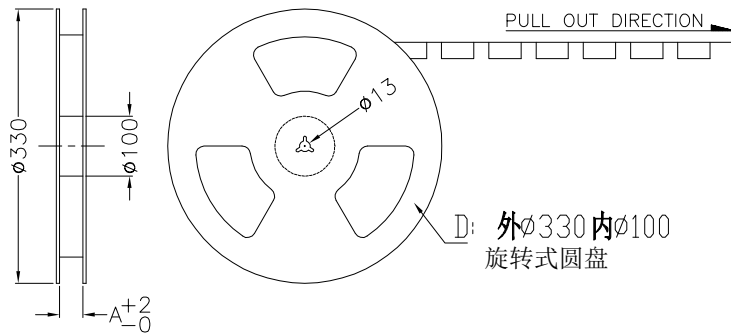
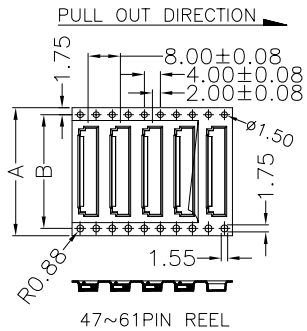
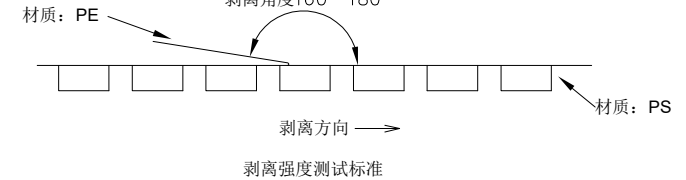
Circuit	A	B	PCS/盘
4~8PIN	16.0	—	3000
9~24PIN	24.0	—	3000
25~34 PIN	32.0	28.4	3000



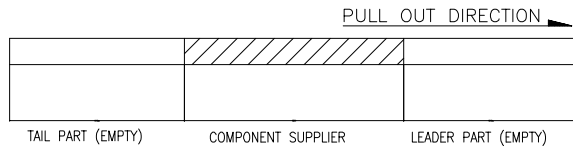
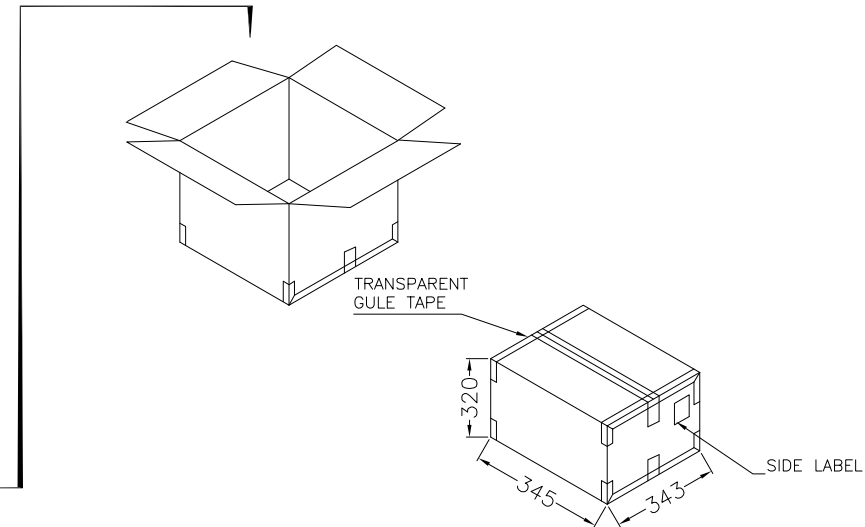
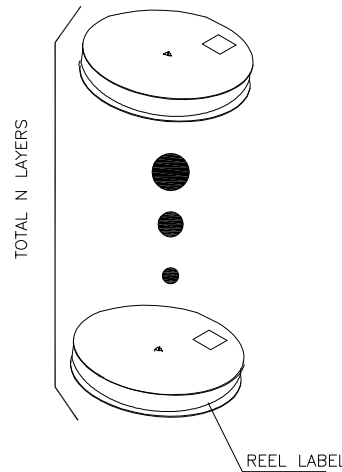
NOTES:

- MATERIAL:
 - CARRY TAPE:HIPS,T=0.30±0.05mm,CLEAR
 - REEL:HIPS,
 - SHIM:PE,CLEAR.
- PRIMARY PACKING:3,000PCS/REEL.
- SECONDARY PACKING:SEE PACKING LIST
- PEELING RESISTANCE: 0.1~0.7N(10~70gf); PEELING ANGLE: 165°~180°; PEELING SPEED: 300mm/minutes.

剥离力为: 0.1-1.3N
剥离速度: 300mm/分



D: 外φ330内φ100
旋转式圆盘



REV.	REVISION RECORD	DATE	UNIT:mm	GENERAL TOLERANCES		SCALE:	NAME	DATE	PART.NO:	DWG.NO:	TITLE:	REV: A0	SHEET: 2/2
AO	NEW RELEASE	22.10.28		LINEAR	ANGLES	1:1	Wang_jr	22.10.28					
			0.0±0.35	X'REF±6°	APPROVED	Han_Gao	22.10.28						
			0.00±0.25	X'±3°	DESIGNER	LanXuan_Hou	22.10.28						
			0.000±0.10	X'X' ±2°	DRAWN								



WanLian Teconology Co., Ltd